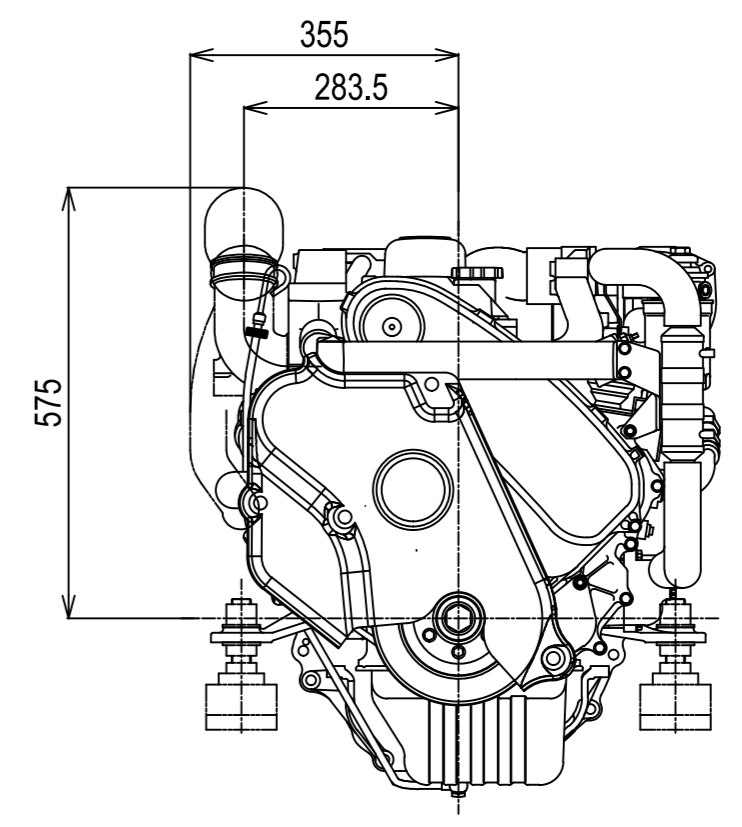
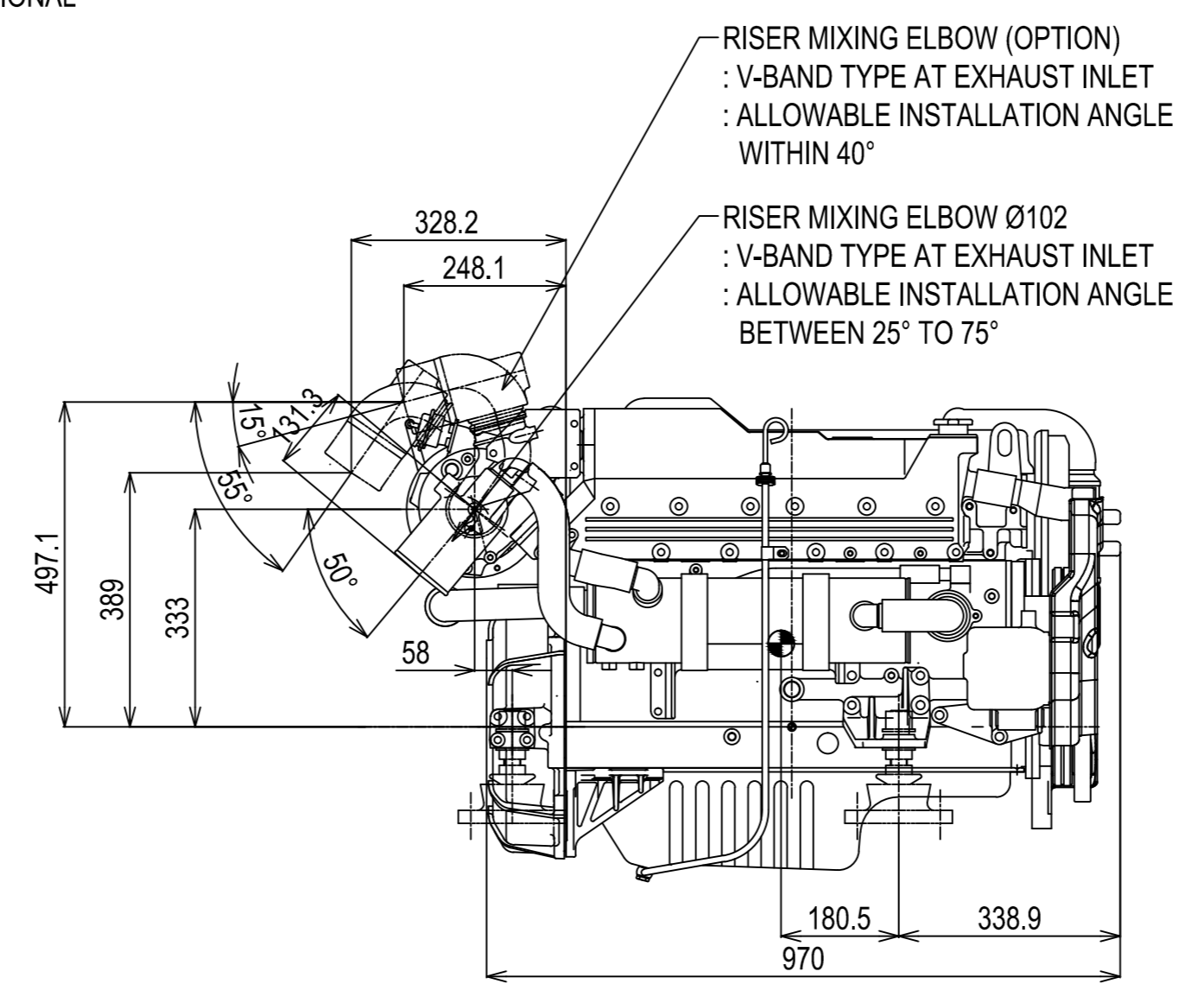
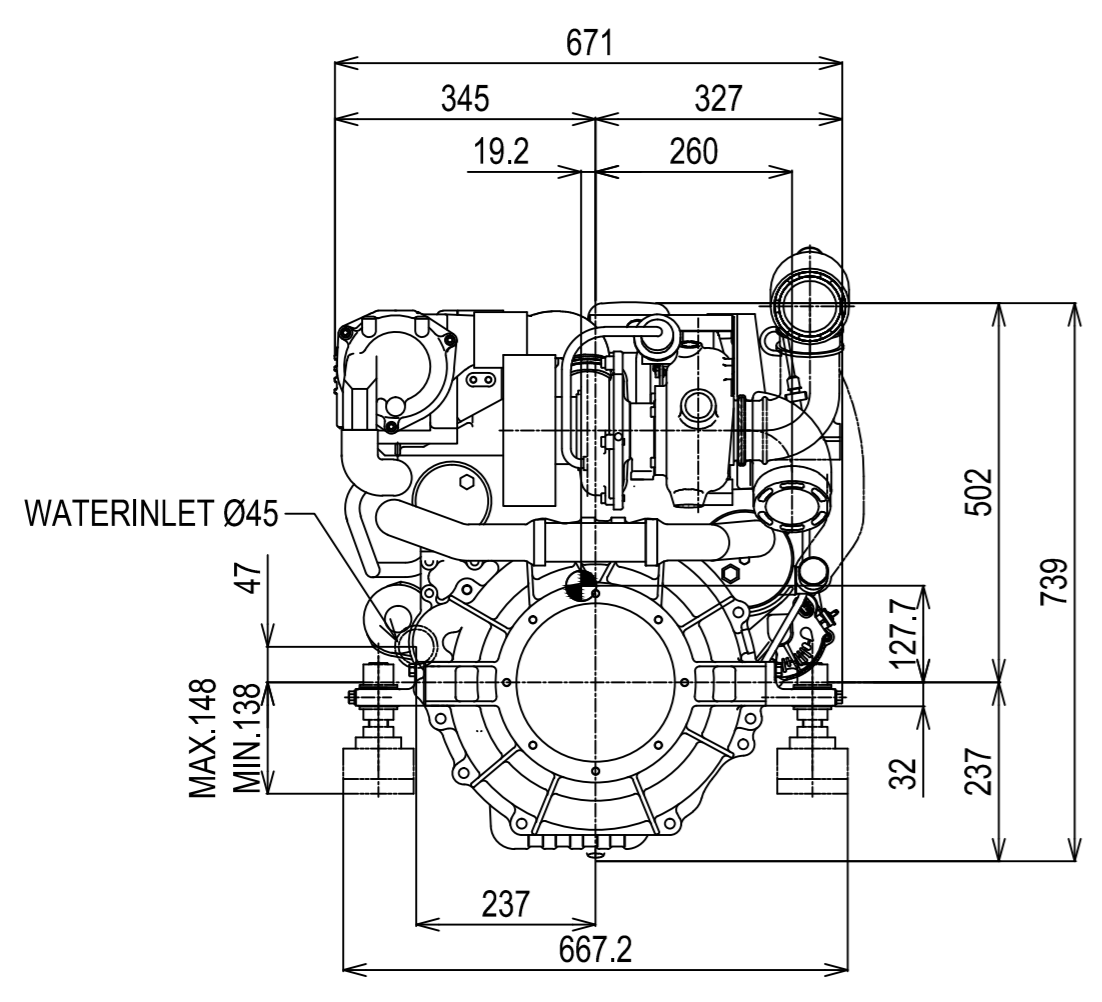
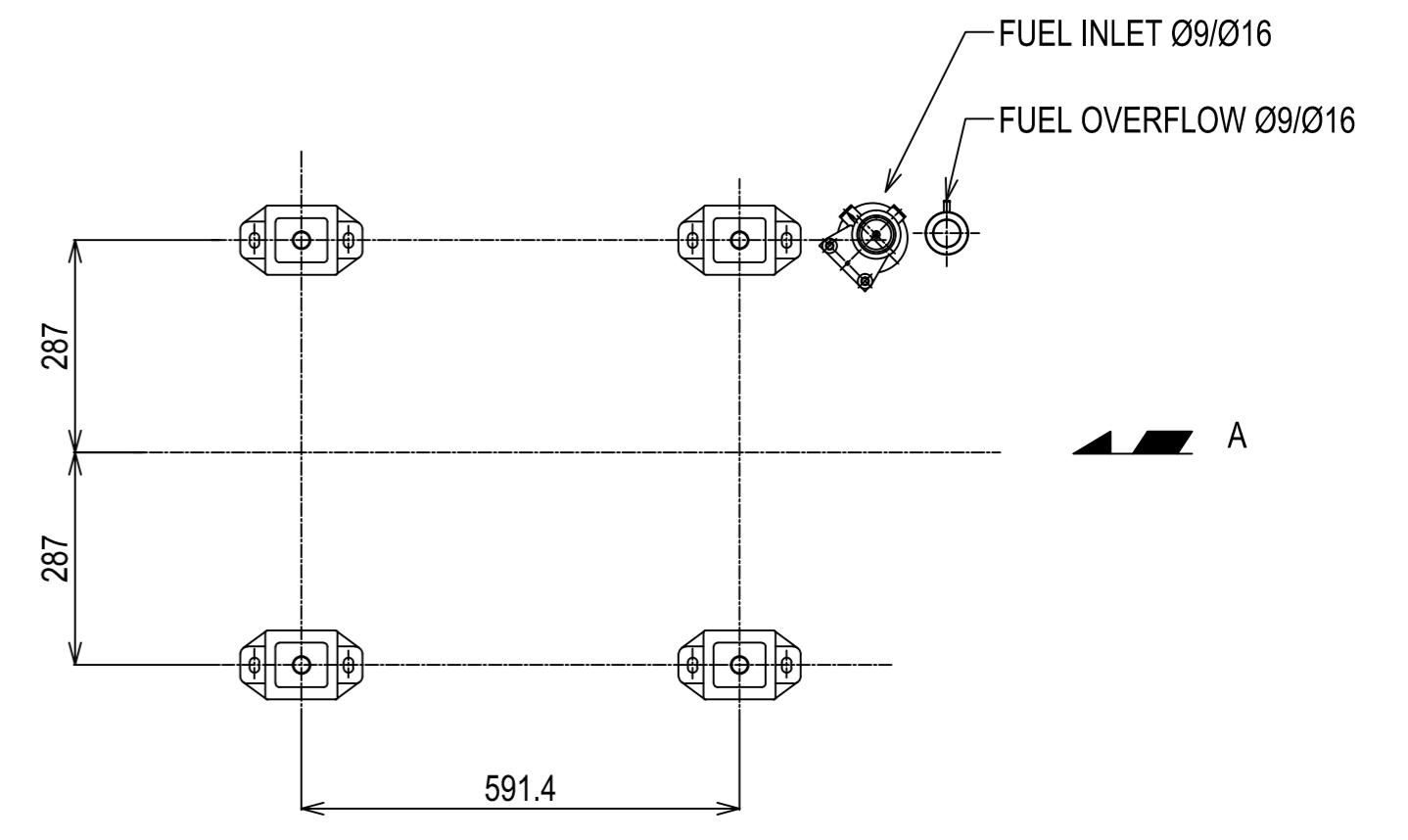
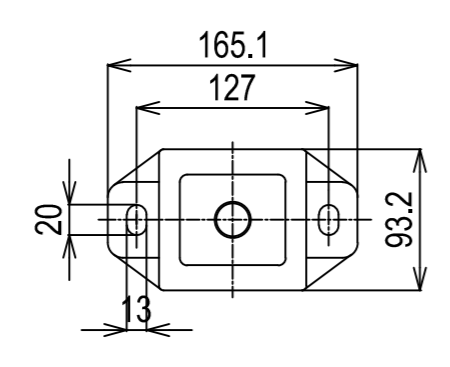


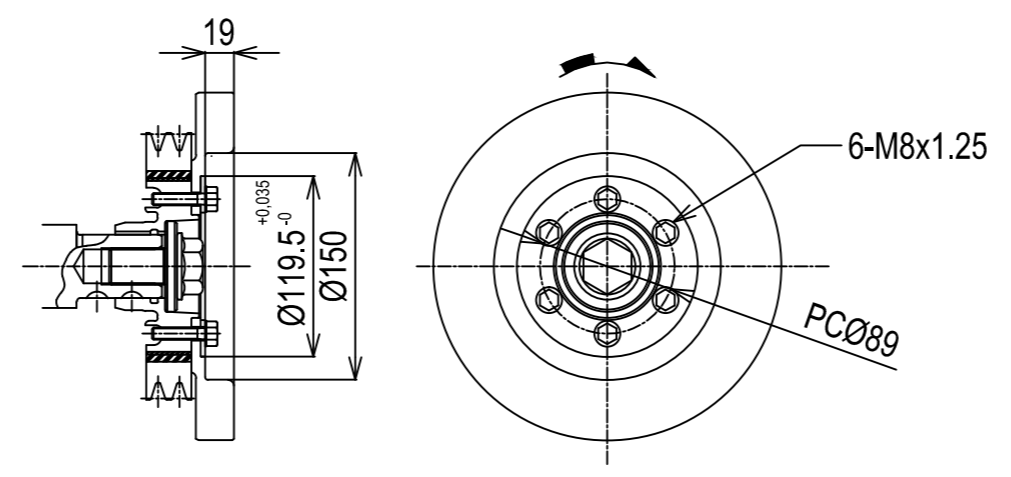
| SPLINE SAE 20/40 |           |
|------------------|-----------|
| NUMBER OF TEETH  | 26        |
| DIAMETRAL PITCH  | 20/40     |
| PRESSURE ANGLE   | 30°       |
| SPLINE TYPE      | FLAT ROOT |
| CLASS            | 16        |



**DETAIL OF MOUNTING BLOCK**



**DIRECTION OF ROTATION**



**DETAIL OF PULLEY VIEWED FROM A**

**NOTE:**

1. DWG. SHOWS MOUNTING BLOCKS AT ORIGINAL HEIGHT. ENGINE WEIGHT WILL COMPRESS BLOCKS BY 4MM (APPROX).
2. MOUNTING BLOCKS ARE EQUIPPED FOR STANDARD ACCESSORY.
3. ● SHOWS THE CENTER OF GRAVITY.
4. FOR ADDITIONAL INSTALLATION INFORMATION AND SPECIFICATIONS PLEASE REFER TO THE YANMAR ENGINE INSTALLATION MANUAL

|         |                   |             |            |
|---------|-------------------|-------------|------------|
| Engine: | 6LPA-STP2_BOBTAIL | Release:    | 14-03-2007 |
| Scale:  | 1:10              | Date:       | 01-04-2013 |
|         |                   | Dimensions: | mm         |

